

IT-SF8150-IR

With 3 high power LEDs for a total power consumption of 6W, beam angle 160°, beam distance 150m², the IT-SF8150-IR is an IR Illuminator with a high service of life.

- Wavelength 740nm/850nm/940nm.
- 50.000 hours lifetime LEDs.
- Extended working temperature range -30 to 50°C.
- 1-3 years warranty.



IR LAMP

HI-POWER
LEDENERGY
SAVINGAUTO D/N
CONTROL

Product Family

The IT-SF8150-IR is part of the high-power Compact IR Illuminators series that is the quality LED light source solution for night-time illumination, providing high-power infrared light for CCTV and IP cameras to enhance night-time visual performance.

Product Features

- Precise secondary optical technology.
- The latest LED technology assures outstanding performance with excellent luminous efficiency and more uniform illumination.
- Independent innovation of high efficiency power drive schemes.
- Low failure rate of products is guaranteed because of professional in-house optimized independent circuit technology widely used in our LEDs illuminators for more than 5 years.
- High thermal conductivity aluminum.
- Energy saving technology.
- All illuminators has energy saving circuit with low electrical power consumption.
- Thinner and lighter design.
- Housing designed for simple installation and easy operation to reduce construction difficulty.

Basic Functions

- *To improve performance of the weak light camera, thereby enhancing the picture effects at night.*
- *Conventional night monitoring.*
- *The function of video analysis at night.*
- *Reduce signal noise and other image distortion.*
- *Reduce the network bandwidth requirements.*
- *Energy saving by power factor correction.*
- *Reduce the equipment cost.*
- *Lower cost of installing and wiring.*
- *Indoor and outdoor use.*

Technical Specifications

LED type: 3 pieces high power IR LEDs

Wavelength: 740nm/850nm/940nm

Beam angle: 160°

Beam distance: 150m² 3m to 5m (850nm)

Bracket: Wall mount bracket

Working voltage: DC12V

Current: 500mA (850nm)

Day & Night switch: Automatic

Working temperature: -30 to 50°C

Protection level: IP65

Color: Silver

Panel: High light transmittance panel

Housing: Aluminum die-casting housing

Net weight: 0.33 kg

Gross weight: 0.4 kg

Packing dimensions: 110*110*45mm

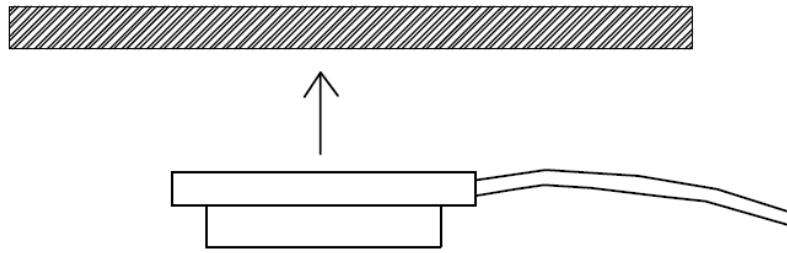
Models for Selection

Model	Beam angle	Viewing IR distance
IT-SF8150-160-C-IR	160°	150m ²

**Viewing IR distance is tested by Sony 1/3 CCD Camera and 850nm IR LEDs.*

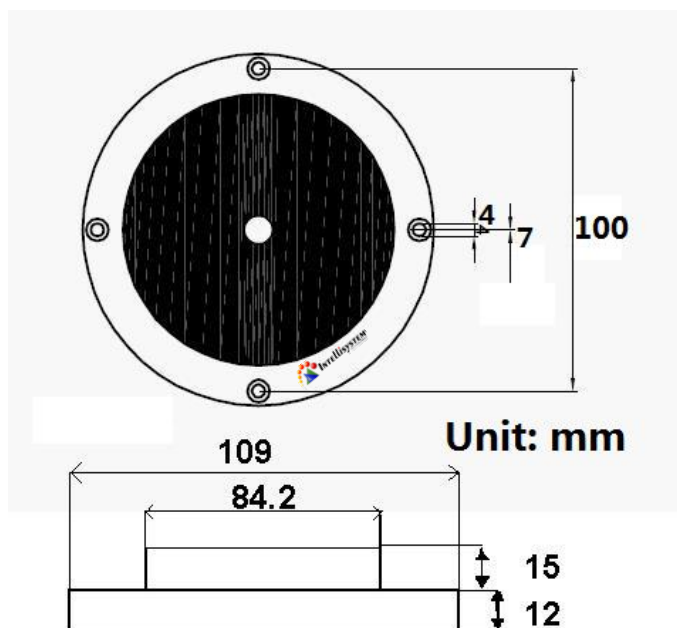
To achieve the distance needed, please pay attention to your camera specifications and lens before purchase. It is normal phenomenon that distance may vary due to different cameras and lens.

Installation



Mount the product into the ceiling with screws.

Mechanical Drawings



Viewing Picture at Night



With IR



Without IR